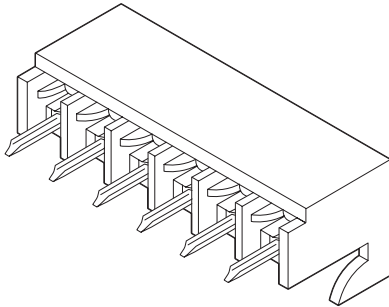


5.08mm (.200") Pitch KK[®] PC Board Connector

3002
Top Entry
Mount Style C



Features and Benefits

- Sizes 2 to 20 circuits

Reference Information

Product Specification: PSX10-39
Packaging: Tray
UL File No.: E29179
CSA File No.: LR19980
Mates With: 2599, 3003 and 3008 headers
Designed In: Inches

Electrical

Voltage: 250V
Current: 7.0A
Contact Resistance: 20 milliohms max.
Dielectric Withstanding Voltage: 1500V
Insulation Resistance: 500K Megohms min.

Mechanical

Mating Force: 24 oz max.
Unmating Force: 4 oz min.
Normal Force: 350g
Durability: 25 cycles Tin

Physical

Housing: Nylon, UL 94V-2
Contact: Phosphor Bronze
Plating: 1µm Tin and 0.5µm Gold
Operating Temperature: 0 to +75°C

Circuits	Order No.		Lead-free
	Tin	Gold	
2	10-10-1023	10-10-1028	Yes
3	10-10-1033	10-10-1038	
4	10-10-1043	10-10-1048	
5	10-10-1053	10-10-1058	
6	10-10-1063	10-10-1068	
7	10-10-1073	10-10-1078	
8	10-10-1083	10-10-1088	
9	10-10-1093	10-10-1098	
10	10-10-1103	10-10-1108	
11	10-10-1113	10-10-1118	

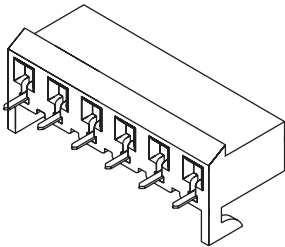
Circuits	Order No.		Lead-free
	Tin	Gold	
12	10-10-1123	10-10-1128	Yes
13	10-10-1133	10-10-1138	
14	10-10-1143	10-10-1148	
15	10-10-1153	10-10-1158	
16	10-10-1163	10-10-1168	
17	10-10-1173	10-10-1178	
18	10-10-1183	10-10-1188	
19	10-10-1193	10-10-1198	
20	10-10-1203	10-10-1208	

Plating: 1.00 microns Tin /2.00 microns Copper min. (.000040" Tin / .000080" Copper min.) or 0.50 microns Gold/0.75 microns Nickel min. (.000020" Gold/.000030" Nickel min.)

www.molex.com/product/kk/kk.html

5.08mm (.200") Pitch KK[®] PC Board Connector

2767-NBH
Bottom Entry



Features and Benefits

- Sizes 4 to 6 circuits

Reference Information

Packaging: Bag
UL File No.: E29179
CSA File No.: LR19980
Mates With: 5077-NC
Designed In: Millimeters

Electrical

Voltage: 250V
Current: 7.0A
Contact Resistance: 10 milliohms max.
Dielectric Withstanding Voltage: 1500V AC/1 min.
Insulation Resistance: 1000 Megohms min.

Physical

Housing: 6/6 nylon, UL 94V-2
Contact: Brass
Plating: Tin over Copper
Operating Temperature: -40 to +105°C

Circuits	Order No.	Lead-free
4	10-05-1045	Yes
5	10-05-1055	
6	10-05-1065	